



# Single needle straight lock stitcher with side cutter

## SL-777B

- Ideal for sewing collars and flaps, and also for plain stitching of hems.
- The mode can be changed to normal sewing at a single touch.



***This sewing machine lets you cut the material at the same time as sewing, and the side cutter has excellent cutting performance and durability.***

### Changes between normal sewing and cutting while sewing at a single touch

The side cutter can be raised and lowered at a single touch using an easy-to-operate lever. This lets you change easily between normal sewing and cutting while sewing.



### 29.5 mm wide duster hole

Scraps cut from the material are conveyed smoothly through this wide duster hole to the duster chute. This keeps the top of the work table clean at all times and lets the next operation proceed without any trouble. Furthermore, when not using the side cutter, the sewing machine can be used as a normal lock stitcher by attaching a needle plate cover.






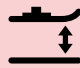



### Built into arm to dramatically boost ease of operation

The cutter drive mechanism is built into the arm, allowing more space around the needle, and generally making it easier to handle the material.







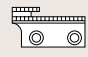
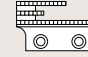


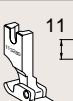
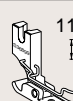


# Specifications

SL-777B-

	Application
3	Medium materials

							
	Lock stitch	Bottom feed	Medium materials	Height of presser foot	Stitch length	Side cutter	Max. sewing speed
<b>777B</b>	★	★	★	Manual 6 mm Knee 13 mm	4mm	★	4,500rpm

# Gauge parts

Cutting width	2.5mm (3/32)	3.2mm (1/8)	4.0mm (5/32)	4.8mm (3/16)	6.4mm (1/4)	9.5mm (3/8)	
Needle plate	 S10569-101	 S10570-101	 S10571-101	 S10572-101	 S10573-101	 S10574-101	
Feed dog	 S10583-001			 S10584-001			
Presser foot assy	 S10576-101	 S36895-001		 113280-101			 S36899-001
Sewing scraps guide	 S10609-001				 S10614-001		



Brother Industries, Ltd. Machinery & Solution Company  
Mizuho and Minato plants acquired ISO 9001 and 14001 certifications.

Product specifications are subject to change for improvement without notice. Please read instruction manual before using the machine for safety operation.

**brother**

**BROTHER INDUSTRIES, LTD.**

15-1, Naeshiro-cho, Mizuho-ku, Nagoya 467-8561, Japan.  
Phone: 81-52-824-2177 Fax: 81-52-811-7789 <http://www.brother.com/>